

# Total Trap<sup>®</sup> Stations

## Total Trap<sup>®</sup> Series Model

### TT3HP (Total Trap 3 High Pressure)

#### *THERMODYNAMIC TOTAL TRAP<sup>®</sup> STATIONS*

**CRN Canadian Registration Number Available**

The Total Trap<sup>®</sup> 3 High Pressure series is a line of compact, thermodynamic style steam trap stations for saturated steam applications designed to efficiently discharge condensate on applications with working pressures up to 900 psig and temperature up to 800°F. The Total Trap<sup>®</sup> 3HP comes complete with:

- One-piece, self-contained total steam trap station
- Disc trap with replaceable cartridge, disc and cap (easily replaced in the field without uninstalling the complete trap station)
- Strainer
- Blow-down & by-pass capabilities
- Integral isolation valves with ability to free-vent
- Installation requires only 2 welds and less than 14" of space end-to-end
- Optional size and style inlet and outlet hub ends material and sizes designed to meet customer piping application
- Flush plug to flush disc trap and internal porting when desired



#### *ORDERING SCHEMATIC*

TT3HP-1	1" Grayloc-style butt-weld end connections (modular) - includes seal rings and clamp assemblies for easy removal and reinstallation as desired
TT3HP-2	1" Grayloc-style female socket-weld end connections (modular) - includes seal rings and clamp assemblies for easy removal and reinstallation as desired
TT3HP-3	1/2" FNPT hub ends
TT3HP-4	3/4" FNPT hub ends
TT3HP-5	1" FNPT hub ends

Note: size and material end connections available. Blowdown valve is 1/2" FNPT.



A Division of  
Richards Industries  
3170 Wasson Road  
Cincinnati, OH 45209

toll free. 800.543.7311  
local. 513.533.5600  
fax. 513.871.0105

steam@richardsind.com  
www.bestobellsteamtraps.com

### THERMODYNAMIC TOTAL TRAP® STATIONS

#### SPECIFICATIONS

Maximum operating pressure: 900 psig (62,1 bar)

Minimum differential pressure: 10 psig (0,69 bar)

Maximum operating temperature: 800°F (427°C)

#### MATERIALS

Body: ASTM A240 316 Stainless Steel

Disc Trap Cap: ASTM A479 316H Stainless Steel

Strainer Cap: ASME SA479 316L Stainless Steel

Strainer Screen: BS 970 Gr 310 S31 Austenitic Stainless Steel

Disc: ASTM A582 420F Stainless Steel

Valves: ASTM A582 303 Stainless Steel

Blowdown Valve: Stainless Steel with graphite packing sleeve

Attached Hubs: ASME SA479 316L Stainless Steel (other materials available)

Disc Trap Cartridge Seal Rings: ASME SA479 316/316L Stainless Steel

Disc Trap Cap & Strainer Gasket: Flexitallic spiral wound with Grafoil filler and 316L Stainless Steel reinforcement

#### APPLICABLE CODES & STANDARDS

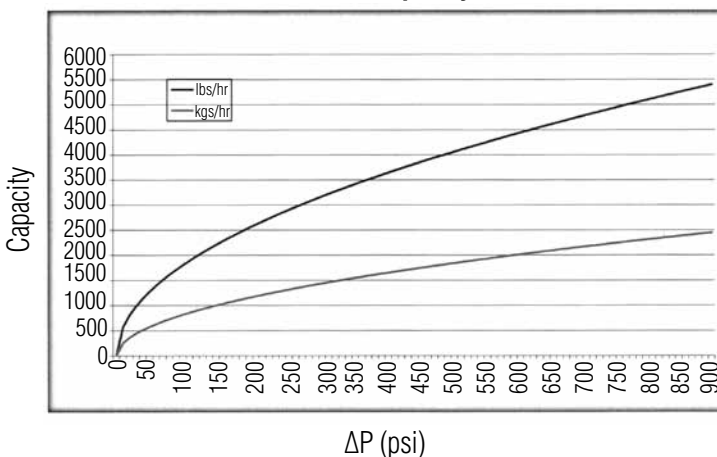
Designed and manufactured in accordance with ASME B31.1 and B16.34

#### RECOMMENDED INSTALLATION

For proper operation, may only be installed in a horizontal orientation with disc trap cap upward (on top)

#### CAPACITY CHART

Condensate Capacity vs ΔP



#### DIMENSIONS

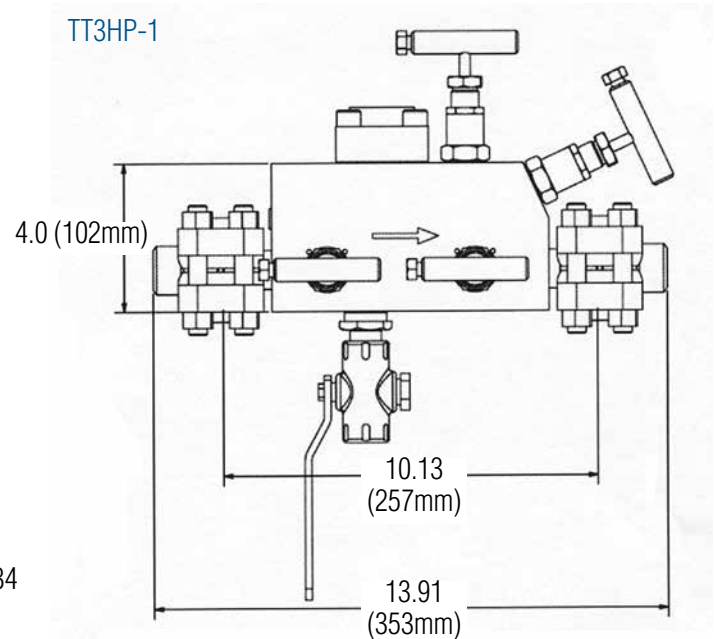
Length: See dimensional diagrams

Width: 11" (280mm) (including valves)

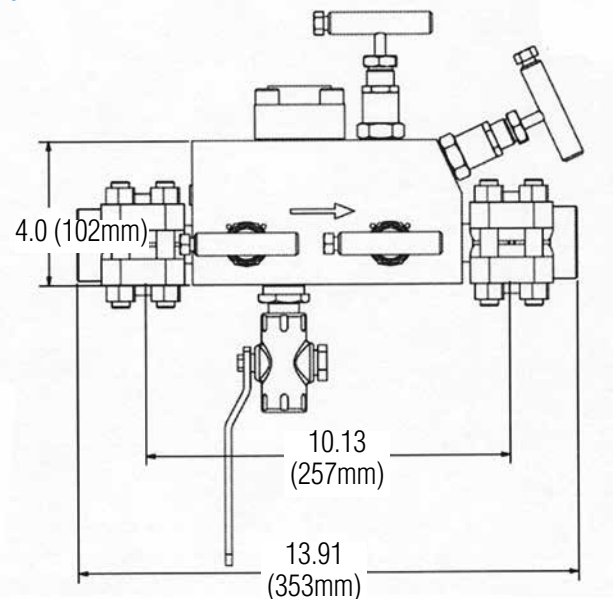
Height: 10" (254mm) (including valves)

Weight: 30 lbs (14 kgs)

TT3HP-1



TT3HP-2



### THERMODYNAMIC TOTAL TRAP® STATIONS

#### ***DIMENSIONS***

TT3HP-3, 4, 5

